



V. Guldmann A/S
Graham Bells Vej 21-23A
DK-8200 Aarhus N
Tel. +45 8741 3100
Fax +45 8741 3131
info@guldmann.com
www.guldmann.com

GH3 Twin Lifting module Technical specifications

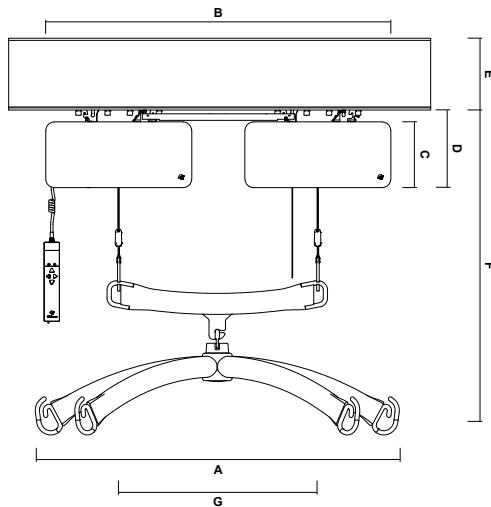
Weight and materials

SWL	: 250 kg, 500 kg
Own weight	: 19,2 kg

Covers : Impact-resistant UL 94 V-0 flame retardant recyclable plastic

Dimensions

A	: 860 mm
B	: 817 mm
C	: 156 mm
D	: 184 mm
E, min	: 194 mm
F, min	: 655 mm
F, max	: 3155 mm
G	: 473 mm
Depth of hoist	: 205 mm



Functions

Operation	: Hand control / IR
Sound level	: 52 dB (A)

Safety

Emergency stop	: Yes
Emergency lowering device	: Yes, mechanical and electrical
Control of lifting strap	: Yes
Cut-off angle	: 45° along the rail 10° across the rail

Electronics

On/off	: Automatic when used. Soft start/stop. Overload protection.
--------	--

SWL	: 250 kg / 500 kg
Battery	: 24 V NiMH, 5.6 Ah
Max charge time	: 4 hours

Battery protection : At battery voltage below 22 V the indicator light turns orange. The hoist is stopped if the voltage falls below 20 V

Power supply	: 33 V AC, 2.5 A
Supply voltage, transformer	: 115/230V AC

Protection classification (IP) according to IEC 60529

Lifting module	: IP 20
Hand control	: IP 44
Remote control	: IP 20
Transformer	: IP 20

Labelling

The product is manufactured in compliance with the Council Directive 93/42/EEC of June 14th 1993, including amendments, as medical device class 1.

Classification

Pursuant to ISO 9999

Patents	: PA 2008 00888 PA 2008 00894 PA 2008 00895
---------	---

Time to care



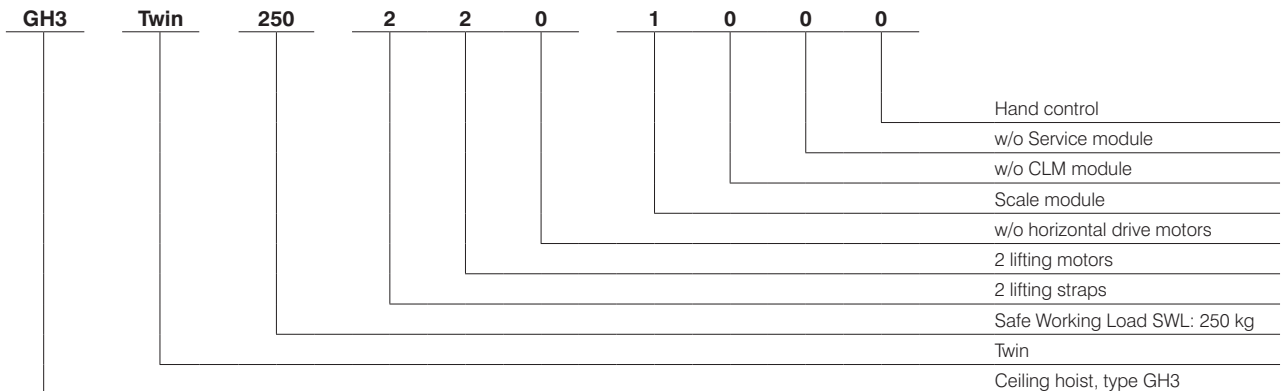
V. Guldmann A/S
 Graham Bells Vej 21-23A
 DK-8200 Aarhus N
 Tel. +45 8741 3100
 Fax +45 8741 3131
 info@guldmann.com
 www.guldmann.com

GH3 Twin Lifting module Technical specifications

GH3 Lifting modules, configurations									
Guldmann hoist type	Product line	Load in kg	Number of lifting straps	Number of lifting motors	Number of horizontal drive motors	Scale module	CLM module	Service module	User interface
GH3	(x)	xxx	x	x	x	x	x	x	x
GH3	Twin	250	2	2	None : 0	None : 0	None : 0	None : 0	Hand control : 0
		500	2	2		Scale : 1	CLM : 1	Service : 1	
									IR : 1

Example: GH3 Twin 250 220 1000

GH3	Twin	250	2	2	0	1	0	0	0
-----	------	-----	---	---	---	---	---	---	---



	GH3 Twin
Lifting speed	
85 kg load	60 mm/sec.
150 kg load	60 mm/sec.
Max capacity load, SWL	55 mm/sec.
Max 5 kg load	60/100 mm/sec.

Number of lifts and Intermittent

Max. number of lifts in series : 55 with 85 kg/1000 mm
 Charging time : 4 Hours
 Intermittent : 10/90, 3 Hours

Max. number of lifts in series : 28 with 200 kg & 250 kg/1000 mm
 Charging time : 4 Hours
 Intermittent : 10/90, 3 Hours