



V. Guldmann A/S
 Graham Bells Vej 21-23A
 DK-8200 Aarhus N
 Tel. +45 8741 3100
 Fax +45 8741 3131
 info@guldmann.com
 www.guldmann.com

GH3/GH3+ Lifting modules Technical specifications

Weight and materials

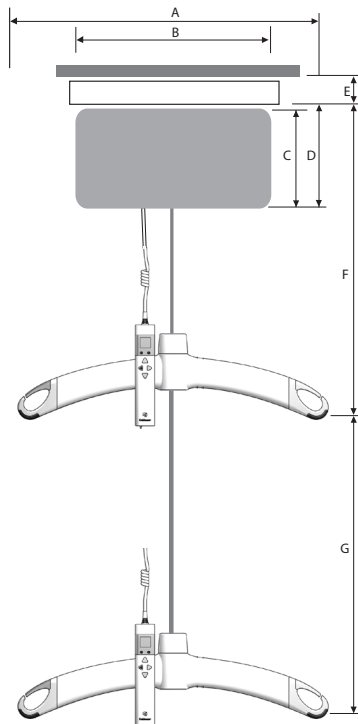
SWL : 200 kg, 250 kg
 Own weight : 9,6 kg
 with horizontal motor : 10,5 kg
 with scale module
 and horizontal motor : 11,1 kg

SWL : 300 kg, 350 kg, 375 kg
 Own weight : 14,2 kg
 with horizontal motor : 15,9 kg
 with scale module
 and horizontal motor : 17,3 kg

Covers : Impact-resistant UL 94 V-0 flame
 retardant recyclable plastic

Dimensions

A : 580 mm
 B : 345 mm
 C : 156 mm
 D : 184 mm
 E, min : 82 mm
 F, min : 425 mm
 G : 2.500 mm
 Depth of hoist : 205 mm



Functions

Operation : Hand control / IR
 Sound level : 52 dB (A)
 Horizontal speed : 300 mm/sec.
 (Horizontal drive motor)

Safety

Emergency stop : Yes
 Emergency lowering
 device : Yes, mechanical and electrical
 Control of lifting strap : Yes
 Cut-off angle : 45° along the rail
 10° across the rail

Electronics

On/off : Automatic when used. Soft start/stop.
 Overload protection.

SWL : 200 kg, 250 kg
 Battery : 1 x 24 V NiMH, 2.0 Ah
 Max charge time : 2 hours

SWL : 300 kg, 350 kg, 375 kg
 Battery : 2 x 24 V NiMH, 2.0 Ah
 Max charge time : 4 hours

Battery protection : At battery voltage below 22 V the
 indicator light turns orange. The hoist
 stops if the voltage falls below 20 V

Power supply : 33 V AC, 2.5 A
 Supply voltage,
 transformer : 115/230V AC

Protection classification (IP) according to IEC 60529

Lifting module : IP 20
 Hand control : IP 44
 Remote control : IP 20
 Transformer : IP 20

Labelling

The product is manufactured in compliance with the Council
 Directive 93/42/EEC of June 14th 1993, including amendments, as
 medical device class 1.

Classification

Pursuant to ISO 9999

Patents : PA 2008 00888
 PA 2008 00894
 PA 2008 00895

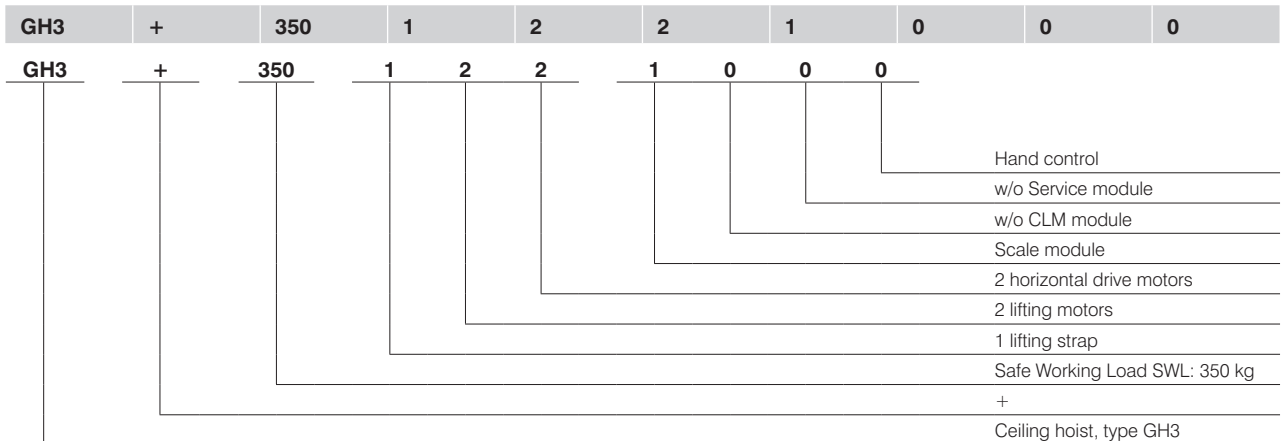
Time to care



GH3/GH3+ Lifting modules
Technical specifications

GH3 Lifting modules, configurations									
Guldmann hoist type	Product line	Load in kg	Number of lifting straps	Number of lifting motors	Number of horizontal drive motors	Scale module	CLM module	Service module	User interface
GH3	(x)	xxx	x	x	x	x	x	x	x
GH3		200	1	1	1	None : 0 Scale : 1	None : 0 CLM : 1	None : 0 Service : 1	Hand control : 0 IR : 1
		250	1	1	1				
	+	250	1	1	1				
		300	1	2	2				
		350	1	2	2				
		375	1	2	2				

Example: GH3+ 350 122 1000



	GH3	GH3+
Lifting speed		
85 kg load	40 mm/sec.	60 mm/sec.
150 kg load	40 mm/sec.	60 mm/sec.
Max capacity load, SWL	40 mm/sec.	55 mm/sec.
Max 5 kg load	40/100 mm/sec.	60/100 mm/sec.

Number of lift and Intermittent

Max. number of lifts in series	: 55 with 85 kg/1000 mm
Charging time	: 2 Hours
Intermittent	: 20/80, 4 Hours
SWL	: 200 kg, 250 kg
Max. number of lifts in series	: 21/1000 mm
Charging time	: 2 Hours
Intermittent	: 10/90, 4 Hours

SWL	: 300 kg, 350 kg, 375 kg
Max. number of lifts in series	: 40/1000 mm
Charging time	: 4 Hours
Intermittent	: 10/90, 4 Hours