



V. Guldmann A/S
 Graham Bells Vej 21-23A
 DK-8200 Aarhus N
 Tel. +45 8741 3100
 Fax +45 8741 3131
 info@guldmann.com
 www.guldmann.com

GH Turntable, electric Technical specifications

Function

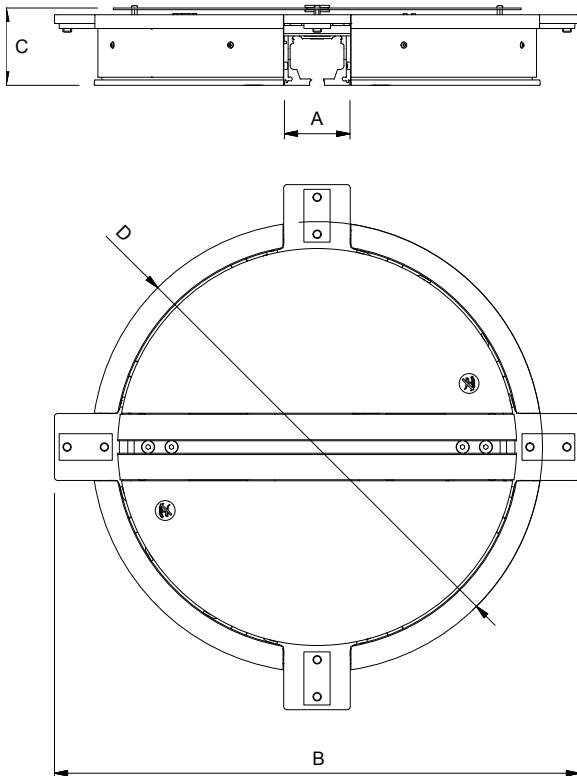
Usage : In single track Guldmann rail system
 in corridors with no space for switch
 tracks
 Connecting rail : Rail A
 Operation : Hand control
 Compatibility : GH turntable must only be used
 in combination with Guldmann rail
 system.

Weight and materials

Turntable : 17.5 kg
 Turntable : Powder varnished steel and anodized
 aluminium

Measurements

A : 63 mm
 B : 496 mm
 C : 74.5 mm
 D : 426 mm



Safety

Electric : Electronically secured
 Mechanical : Secured against derailing and jamming

Electrical parts

On/off : Automatically on activation
 Motor consumption : 24V DC 8 W
 Periodic load : 10/90
 Power supply
 Primary : 230V AC
 Secondary : 24V AC 60 VA

Classification, tightness

Hand control : IP 54

Service inspection

Service check : At the same time as the rail system
 Service agreement : To be agreed with Guldmann or local
 Guldmann distributor.

Accessories/Miscellaneous

Infrared remote control
 Receiver : To be mounted inside w. plug
 Sender : Hand control with batteries
 Range : 5-10 metres
 Diffusion : approx. 25 degrees

Hand control : With cable
 Wall switch : Wall integrated
 Power supply : Transformer

Cover turntable grey : L x W x D (1250 x 52.5 x 0.8 mm)
 Cover turntable white : L x W x D (1250 x 52.5 x 0.8 mm)
 Profile for ceiling

Marking

CE-marked in accordance with
 DS/EN 10535 : Hoist for the transfer of disabled
 persons
 93/42/EEC : Medical devices

Item Number/Model

550663 : GH Turntable, electric – max 255 kg
 551430 : GH Turntable, electric, coated
 – max 255 kg
 552882 : GH Turntable, electric – max 375 kg
 552984 : GH Turntable, electric, coated
 – max 375 kg

| Time to care |