



V. Guldmann A/S
Graham Bells Vej 21-23A
DK-8200 Aarhus N
Tel. +45 8741 3100
Fax +45 8741 3131
info@guldmann.com
www.guldmann.com

GH Switch track, electric Technical specifications

Function

Max capacity : 250 kg
Usage : When it is necessary to divide a single track rail into 2 tracks in a Guldmann rail system
Connecting rail : Rail A
Operation :
Electric : Hand control

Weight and materials

GH Switch track 90° : 10,4 kg
Switch track railpart : Anodized aluminium
Plateparts : Stainless steel

Measurements

A. : 551 mm
B. : 50 mm
C. : 62 mm
D. : 900 mm
E. : 550 mm

Safety

Electric : Electronically secured

Electrical parts

On/off : Automatically on activation
Motor consumption : 24V DC5W
Periodic load : 10/90
Power supply : 33V AC, 2.5A
Supply voltage transformer : 115/230 V AC

Classification, tightness

Hand control : IP 54

Accessories/ Miscellaneous

Infrared IR remote control
Receiver : To be mounted externally with plug
Sender : Hand switch with batteries
Range : 5-10 metres
Diffusion : approx. 30 degrees
Hand control : With cable
Wall switch : Wall integrated
Power supply : Transformer

Service and guarantee

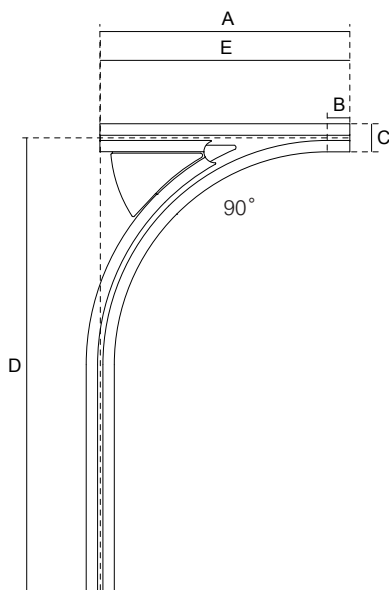
Service check : At the same time as the hoist
Guarantee : 1 year

Marking

The product is manufactured in compliance with the Council Directive 93/42/EEC of June 14th 1993, including amendments, as medical device class 1.

Item Number/Model

553925 : GH Switch track, electric 90° right
553926 : GH Switch track, electric 90° left



Time to care